



DX Engineering Key Line Splitter

DXE-KEYLINE-3

DXE-KEYLINE-3-INS Revision 0c



© DX Engineering 2021

1200 Southeast Ave - Tallmadge, OH 44278 USA

Phone: (800) 777-0703 · Tech Support and International: (330) 572-3200

Fax: (330) 572-3279 · E-mail: DXEngineering@DXEngineering.com

Introduction

DX Engineering Transceiver Key Line Splitter **DXE-KEYLINE-3** – a handy gadget designed to be connected to the 'Ground-On-Transmit' amplifier keying line of a transceiver. This single-input, triple-output passive DC only unit provides multiple PTT keying lines, two for other accessories in addition to one for the amplifier. All four connectors are female RCA phono.

Many special Amateur Radio devices, from receive accessories, to simple phasing units and even automatic antenna switches need to use the same T/R keying line as your amplifier. But they don't have a keying line pass-through for the amplifier.

The **DXE-KEYLINE-3** is specifically designed for your radio's amp keying output, allowing more than just an amplifier to switch when your transceiver goes to transmit. Each center-positive keying output of this device is protected with a separate 45V 2A Schottky diode, providing isolation between each accessory keying line. Therefore, this splitter will keep the load or voltage of any one device from affecting the others.

The **DXE-KEYLINE-3** input depends upon the voltage and current rating of your transceiver's transistor or relay amplifier keying circuit, so refer to your transceiver manual for the total that it will safely handle. Most accessory keying lines send 13.8 Vdc at only a few milliamps, so this combination typically works without issue. The **DXE-KEYLINE-3** is passive, meaning that it requires no power to function.

Features

- Works with most transceivers
- Allow multiple items to be connected to a transceiver's T/R or Send line
- Center Positive Keying
- Schottky diode protection between outputs
- Common RCA Phono connections
- Unit is passive - does not require power to operate

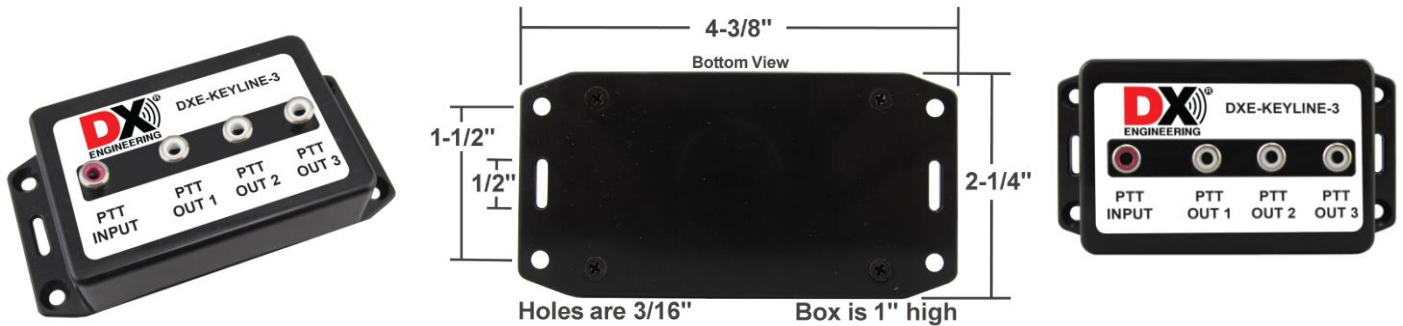
Manual Updates and Information

Every effort is made to supply the latest manual revision with each product. Occasionally a manual will be updated between the time your DX Engineering product is shipped and when you receive it. Please check the DX Engineering web site (www.dxengineering.com) for the latest revision manual.

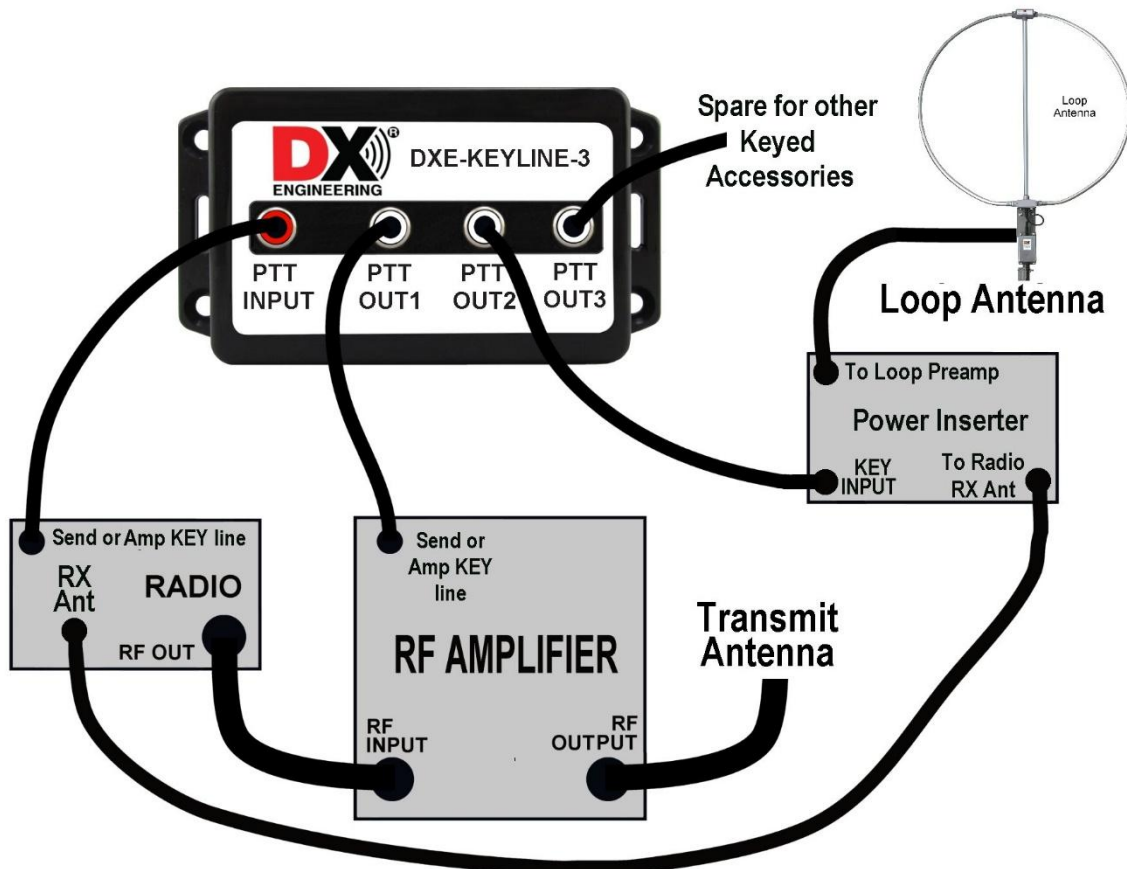
The **PTT INPUT** is connected to the transceiver's T/R or SEND connection. The **DXE-KEYLINE-3** input depends upon the voltage and current rating of your transceiver's transistor or relay amplifier keying circuit, so refer to your transceiver manual for the total that it will safely handle. Most accessory keying lines float at 13.8 Vdc at only a few milliamps during operation when sunk to ground, so this combination typically works without issue.

The **PTT OUT 1, 2 or 3** are connected to your accessories that requires the T/R or SEND signal from the transceiver.

All connections use standard RCA phono connectors.



This is a typical set up for a loop antenna. Your set up may vary depending on what you are connecting to the Keyline-3.



Technical Support

If you have questions about this product, or if you experience difficulties during the installation, contact DX Engineering at (330) 572-3200. You can also e-mail us at:

DXEngineering@DXEngineering.com

For best service, please take a few minutes to review this manual before you call.

Warranty

All products manufactured by DX Engineering are warranted to be free from defects in material and workmanship for a period of one (1) year from date of shipment. DX Engineering's sole obligation under these warranties shall be to issue credit, repair or replace any item or part thereof which is proved to be other than as warranted; no allowance shall be made for any labor charges of Buyer for replacement of parts, adjustment or repairs, or any other work, unless such charges are authorized in advance by DX Engineering. If DX Engineering's products are claimed to be defective in material or workmanship, DX Engineering shall, upon prompt notice thereof, issue shipping instructions for return to DX Engineering (transportation-charges prepaid by Buyer). Every such claim for breach of these warranties shall be deemed to be waived by Buyer unless made in writing. The above warranties shall not extend to any products or parts thereof which have been subjected to any misuse or neglect, damaged by accident, rendered defective by reason of improper installation, damaged from severe weather including floods, or abnormal environmental conditions such as prolonged exposure to corrosives or power surges, or by the performance of repairs or alterations outside of our plant, and shall not apply to any goods or parts thereof furnished by Buyer or acquired from others at Buyer's specifications. In addition, DX Engineering's warranties do not extend to other equipment and parts manufactured by others except to the extent of the original manufacturer's warranty to DX Engineering. The obligations under the foregoing warranties are limited to the precise terms thereof. These warranties provide exclusive remedies, expressly in lieu of all other remedies including claims for special or consequential damages. SELLER NEITHER MAKES NOR ASSUMES ANY OTHER WARRANTY WHATSOEVER, WHETHER EXPRESS, STATUTORY, OR IMPLIED, INCLUDING WARRANTIES OF MERCHANTABILITY AND FITNESS, AND NO PERSON IS AUTHORIZED TO ASSUME FOR DX ENGINEERING ANY OBLIGATION OR LIABILITY NOT STRICTLY IN ACCORDANCE WITH THE FOREGOING.

©DX Engineering 2021

DX Engineering[®], DXE[®], DX Engineering, Inc.[®], Hot Rodz[®], Maxi-Core[®], DX Engineering THUNDERBOLT[®], DX Engineering Yagi Mechanical[®], EZ-BUILD[®], TELREX[®], Gorilla Grip[®] Stainless Steel Boom Clamps, Butternut[®], SkyHawk[™], SkyLark[™], SecureMount[™], OMNI-TILT[™], RF-PRO-1B[®], AFHD-4[®] are trademarks of PDS Electronics, Inc. No license to use or reproduce any of these trademarks or other trademarks is given or implied. All other brands and product names are the trademarks of their respective owners.

Specifications subject to change without notice.



DXE-KEYLINE-3-INS