

# GARMIN®

## PANOPTIX™ PS22-IF ICE FISHING KIT AND BUNDLE INSTALLATION INSTRUCTIONS

---

### Important Safety Information

#### WARNING

See the *Important Safety and Product Information* guide in the chartplotter or fishfinder product box for product warnings and other important information.

To obtain best performance and to avoid product damage and potential injury, you must install this mount using these instructions.

**NOTE:** Read all installation instructions before proceeding with the installation. If you experience difficulty during the installation, go to [support.garmin.com](http://support.garmin.com) for more information.

### Battery Warnings

#### WARNING

The Garmin® device uses a user-replaceable, sealed, lead-acid battery. If these guidelines are not followed, the battery may experience a shortened life span or may present a risk of damage to the device, fire, chemical burn, electrolyte leak, and/or bodily injury.

- Do not place the battery near objects that may cause sparks, flames, or heat.
- Do not incinerate the battery.
- Do not use a sharp object to remove the battery.
- Do not disassemble, puncture, or damage the battery.
- Do not swallow, touch, or inhale the contents of an open battery. Avoid contact with internal acid. Contact with internal acid may cause irritation or severe burns. Irritation may occur to the eyes, respiratory system, and skin. Flush with water at once if contact is made with acid.
- Do not submerge the battery and avoid contact with water.
- Do not short the battery terminals.
- Do not drop or throw the battery.
- Keep the battery away from children.
- Only replace the battery with the correct replacement battery. Using another battery presents a risk of fire or explosion of the device or charger.
- Only use the included Garmin 12 Vdc charger.
- Do not charge the battery in an unventilated area.
- Store in a cool, dry, and well-ventilated area.
- Do not charge the battery in a gas-tight container.
- Do not leave the device exposed to a heat source or in a high-temperature location, such as in the sun in an unattended vehicle. To prevent damage, remove the device from the vehicle or store it out of direct sunlight.
- Do not use organic solvents or other cleaners other than recommended chemical cleaners on the battery.
- Contact your local waste disposal department to dispose of the battery in accordance with applicable local laws and regulations.
- When storing the battery for an extended time, store within the following temperature range: from 5° to 104°F (from -15° to 40°C).
- Do not operate the battery outside of the following temperature range: from 5° to 122°F (from -15° to 50°C).

## Battery Tips

- The length of time a fully charged battery will last before fully discharging varies based on many factors, such as device backlight brightness, the temperature, and the age of the battery.
- You can lower the backlight brightness level to help extend the battery life.
- The life expectancy of a sealed, lead-acid battery can be extended by frequently recharging and not completely discharging the battery.
- Sealed, lead-acid batteries slowly lose their charge while in storage. For best results, charge the battery prior to use.
- When used in cold temperatures, sealed, lead-acid batteries do not hold the charge as long as in warmer temperatures.
- Sealed, lead-acid batteries are recyclable.

## Charging the Battery

### CAUTION

Ensure that you connect the correct spade connector to the correct battery terminal. Damage to the battery or device, or bodily harm may occur if the device is improperly connected to the battery.

You should always use the all-in-one cable to charge the battery.

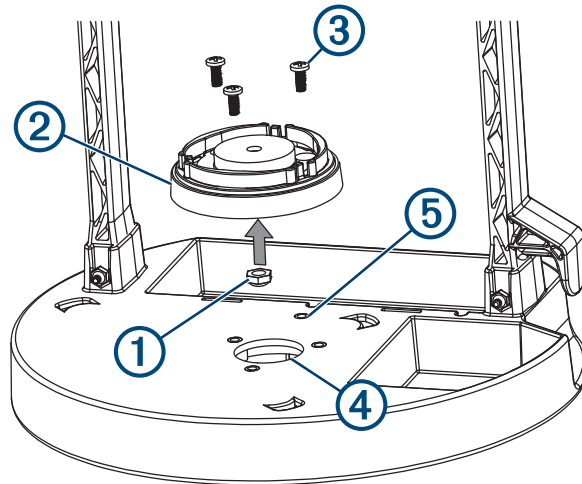
- 1 Remove the battery terminal covers.
- 2 Connect the red and black spade connectors from the all-in-one cable onto the corresponding battery terminals.
- 3 Connect the all-in-one cable to the wall charger.
- 4 Connect the wall charger to the wall outlet.

The light on the wall charger is solid orange when the battery is charging. It takes about 10 to 12 hours in a room-temperature environment to fully charge a fully discharged battery. When the light is solid green, the battery is fully charged.

## Assembling the Mount

The portable mount is preassembled in the ice fishing bundle. This step is only required for the ice fishing kit.

- 1 Press the M6 nut ① into the bottom of the swivel-mount base ②.



**NOTE:** If you purchased your chartplotter or fishfinder device separately, use the swivel-mount base and bail mount bracket included with your device.

- 2 Place the swivel-mount base on the portable mount and fasten the swivel-mount base using the three M4x10 mm screws ③.

**NOTE:** For 4 in. and 5 in. devices, install the mount on the front hole pattern ④. For 6 in. and 7 in. devices, install the mount on the rear hole pattern ⑤. The rear hole pattern allows more room in front of the device to close the front zipper of the bag.

- 3 Place the bail-mount bracket on the swivel-mount base.
- 4 Install the M6x1 mm screw through the bracket and base, and tighten to the preferred position.
- 5 Slide an included rubber washer onto each bail-mount knob, and screw the knobs into the sides of the device.

**NOTE:** The rubber washers enable you to adjust the viewing angle without loosening the knobs.

- 6 Place the device in the bail-mount bracket and tighten the bail-mount knobs.
- 7 If necessary, pull out enough slack from the power and transducer cables so the mount can fully tilt to the preferred positions when the cables are connected.

## Connecting the Cables

### ⚠ CAUTION

Ensure that you connect the correct spade connector to the correct battery terminal. Damage to the battery or device, or bodily harm may occur if the device is improperly connected to the battery (not included).

- 1 Obtain an appropriate power cable and transducer cable to use with your chartplotter and transducer. The all-in-one power and transducer cable (010-12676-40) works with 7 inch or larger ECHOMAP™ chartplotters.
- 2 Connect the 4-pin power cable and transducer cable to the chartplotter.
- 3 Connect the transducer power leads to the gray bare wire connectors on the power cable.
- 4 Connect the 2-pin power cable to the sonar module.
- 5 Slide the red spade connector onto the positive (red) terminal on the battery.
- 6 Slide the black spade connector onto the negative (black) terminal on the battery.

## Placing the Portable Mount in the Bag

After you have assembled the portable mount, you should place it in the bag, which makes it easier to carry and protects it from the elements. The bag contains loops that allow you to tether the bag as needed.

- 1 Place the portable mount into the bag.
- 2 If necessary, wrap the excess power cable and transducer cables around the handle.
- 3 Close all of the zippers.

You can use the zipper at the back of the bag for quick access to charge the battery. You can store the wall charger in the interior zippered pocket, and store the transducer in the exterior side pocket.

## Panoptix Ice Fishing Mount Installation

### Installing the Panoptix Ice Float Mount and Transducer

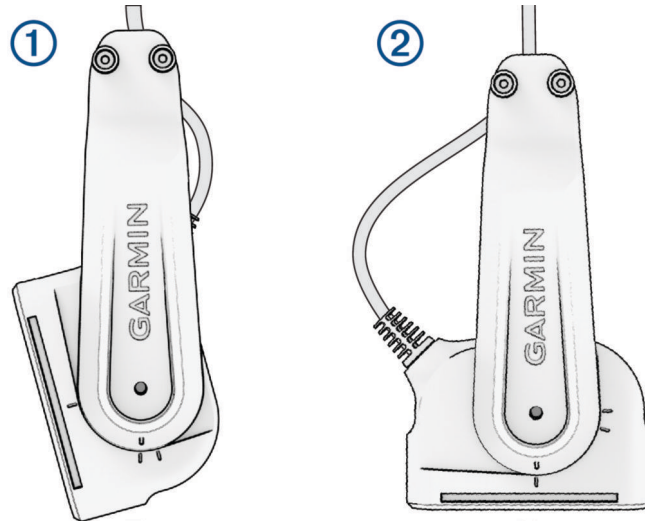
**NOTE:** If you purchased your chartplotter or fishfinder device separately, you may need to purchase a transducer adapter cable:

- Devices with a blue 8-pin sonar connector require a 4-pin Transducer to 8-pin Sounder Adapter Cable (010-12721-00).
  - Devices with an orange 12-pin sonar connector require a 4-pin Transducer to 12-pin Sounder Adapter Cable (010-12718-00).
- 1 Slide the float over the cable between the transducer and the directional indicator.
  - 2 Loosen the knob to adjust the depth and direction of the transducer, and -tighten the knob to lock the depth and direction.  
**TIP:** The top of the transducer must be below the bottom of the ice for best performance, and the arrow on the knob should point in the same direction as the front of the transducer.
  - 3 Position the transducer for the desired view.
  - 4 With the transducer cable connected to the back of the device, drop the transducer into the water.
  - 5 Rotate the cable to aim the transducer.

## Adjusting the Transducer Angle

The transducer should be angled properly for optimal imagery in each mode.

- 1 With the transducer mounted, angle the transducer according to the mode you will use:
  - For LiveVü Forward mode, angle the transducer forward and slightly downward ①.
  - For LiveVü Down mode, angle the transducer down ②.



**TIP:** You may want to experiment to find the best angle for your sonar needs.

**TIP:** For LiveVü Forward mode, adjust the angle 1 or 2 clicks downward in shallow water (less than 4.6 m/15 feet) and 2 or 3 clicks downward in deeper water (more than 4.6 m/15 feet).

- 2 Tighten the knob or mounting bolt so the device does not move during use.
- 3 On the chartplotter, select **Sonar**, and select **LiveVü Down** or **LiveVü Forward**.

## Effective Forward and Down Range

### ⚠ CAUTION

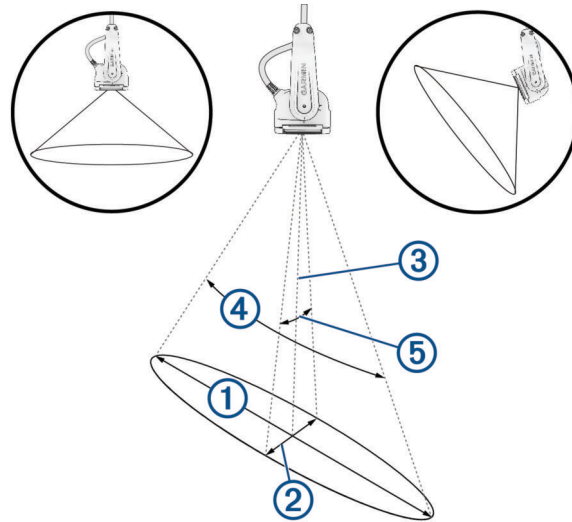
Water conditions and bottom conditions affect the depth and range performance of the transducer. You should use caution and observe the water depth and range to prevent damage or loss of the device, especially when your unit is operating in manual range or depth mode.

When operating in LiveVü Forward mode, the transducer has an effective forward range of between five and eight times the depth of the water. For example, in 3 m (10 ft.) of water, the effective forward range is between 15 and 24 m (between 50 and 80 ft.). Water conditions and bottom conditions affect the actual range.

When operating in LiveVü Down mode, the fore/aft range is equal to the depth of the water. For example, in 10 m (33 ft.) water depth, the screen will display 5 m (16 ft.) fore and 5 m (16 ft.) aft of the transducer. Deeper water provides a greater fore and aft range.

## Beam width

When you point the transducer away from the bottom, the integrated stabilization system automatically aligns the beam vertical to the bottom. Regardless of the transducer orientation, the length cone angle ④ is always 120°, and the width cone angle ⑤ is 12° with the lens installed and 57° without the lens installed.



①	Length of beam at the bottom
②	Width of beam at the bottom
③	Depth
④	120° cone angle
⑤	12° width cone angle with lens 57° width cone angle without lens

## Cleaning the Transducer

### ⚠ CAUTION

To avoid possible transducer damage or personal injury, use care when cleaning the transducer, particularly when attempting to remove severe fouling.

### NOTICE

To prevent permanent damage to the surface of the transducer, do not use solvents such as mineral spirits, acetone, Methyl Ethyl Ketone (MEK), or similar products when cleaning. Do not use a power sander or pressure washer to clean the transducer.

Aquatic fouling accumulates quickly and can reduce your device's performance.

- 1 Remove the fouling with a soft cloth and mild detergent.
- 2 If the fouling is severe, use a non-metallic scouring pad or putty knife to remove growth.
- 3 Wipe the transducer dry.

# Specifications

## Ice Fishing Kit and Bundle Specifications

Physical size, assembled kit with device (L x W x H)	26.67 x 22.86 x 27.94 cm (10.5 x 9 x 11 in.)
Weight without device	2.14 kg (4.72 lb.)

## Battery Specifications

Battery type	Sealed, lead acid, 12 Ah
Battery life	Up to 7 hr. <b>NOTE:</b> The actual battery life of a fully charged battery can vary based on the device used, backlight brightness, temperature the battery is operated and stored in, age of the battery, and depth of the water.
Battery discharge at 0°C (32°F)	5.6 hr. with screen brightness at 100%, 7.5 hr. at 50%
Battery shelf life after charging	1 mo.: 92% 3 mo.: 90% 6 mo.: 80%
Battery operating temperature range	From -15° to 50°C (from 5° to 122°F)
Battery charging temperature range	From -15° to 40°C (from 5° to 104°F)
Battery storage temperature range	From -15° to 40°C (from 5° to 104°F)

## Panoptix PS22-IF Specifications

Dimensions (W x H x L)	66 x 228.6 x 101.6 mm (2.6 x 9 x 4 in.)
Transducer weight	680 g (1.5 lb.)
Total weight (transducer, mount, and cable)	1150 g (2.54 lb.)
Max. continuous power usage	8 W
Peak transmit power	48 W
Operating voltage	From 10 to 35 Vdc
Operating temperature range <sup>1</sup>	From -10 to 40°C (from 14 to 104°F)
Storage temperature range	From -40 to 70°C (from -40 to 158°F)
Material	ASA plastic
Maximum range <sup>2</sup>	91.4 m (300 ft.)
Frequency	417 kHz
Fuse rating	4.0 A mini 32 Vdc

<sup>1</sup> When the transducer is used out of the water, the transducer monitors the internal temperature and suspends operation until the temperature returns to the operating range.

<sup>2</sup> Dependent upon transducer placement, water salinity, bottom type, and other water conditions.

© 2024 Garmin Ltd. or its subsidiaries

Garmin® and the Garmin logo are trademarks of Garmin Ltd. or its subsidiaries, registered in the USA and other countries. ECHOMAP™ and Panoptix™ are trademarks of Garmin Ltd. or its subsidiaries. These trademarks may not be used without the express permission of Garmin.