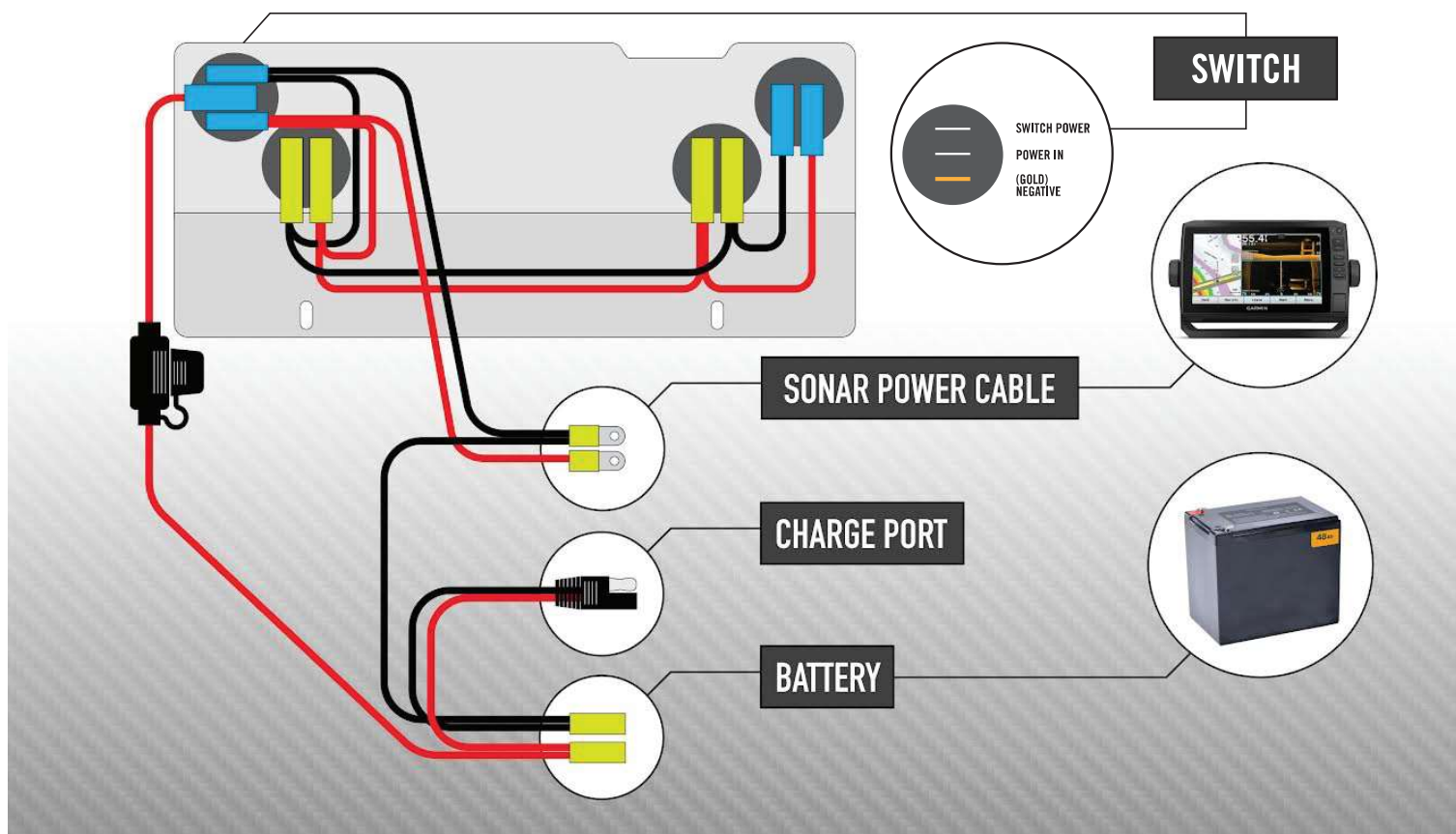


# 5200 SERIES SHUTTLE WIRING HARNESS



## 5200 Series Shuttle Wiring Diagram

WITH 12V ACCESSORY FACE PLATE

1. Mount battery in shuttle base with 3M pad and velcro strap
2. Mount Black box to the outside of the shuttle behind battery
3. Mount gimble for graph to battery bridge prior to installing bridge
4. Install SAE charge port
5. Bolt battery bridge to shuttle base
6. Install 12V accessories in face plate
7. Complete wiring and install face plate
8. Test shuttle
9. Go fishing

